



# MOUNTING INSTRUCTIONS

## FOR ELS-280 SYSTEM MODEL

PROTECTED BY: PATENT #5,350,094 - 5,531,368 - 5,779,120. CANADIAN AND OTHER PATENTS PENDING.

• Bozeman, MT

• (406) 586-9393 • FAX (406) 585-7378

**WIRING INSTRUCTIONS FOR LOCK AND TIMER ARE ENCLOSED ON SEPARATE INSTRUCTION SHEETS.**

### ELS-280 HARDCASE LID SPRING INSTALLATION

#### FOR THE HARLEY DAVIDSON HARDCASE SADDLE BAG

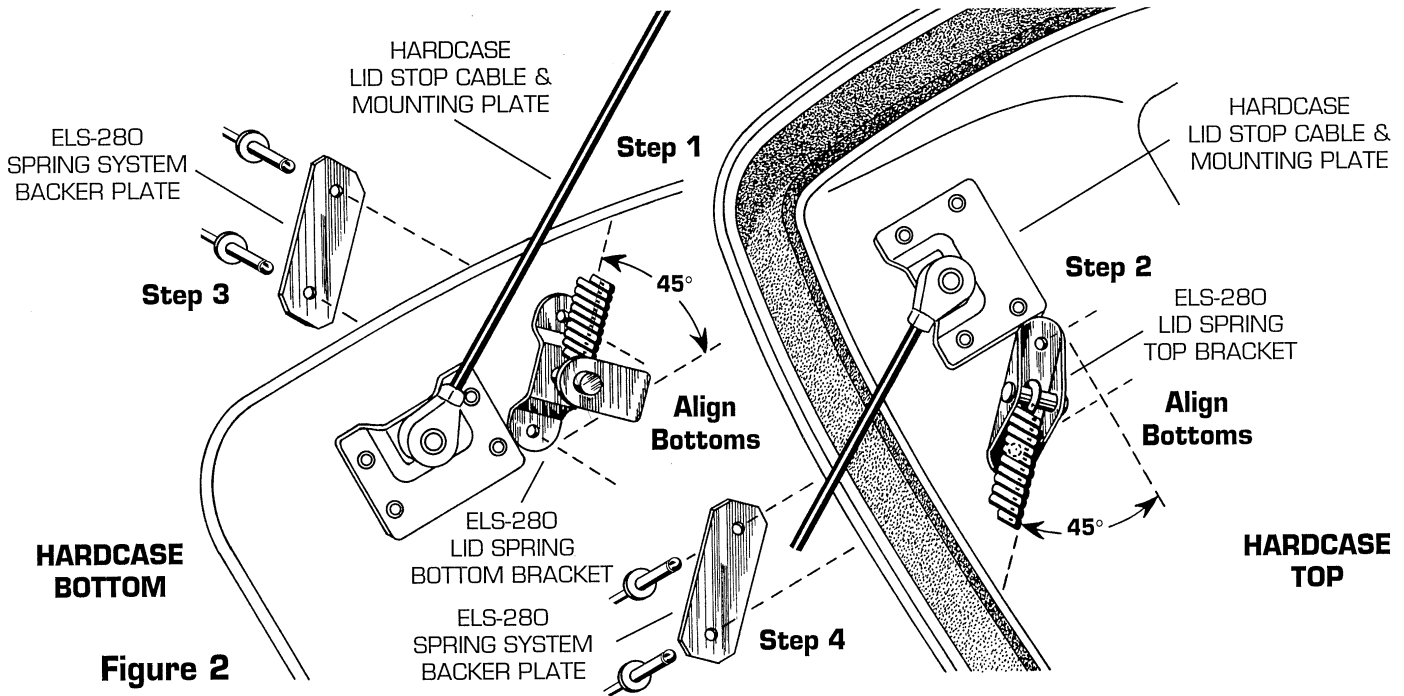


Figure 2

1. Open hardcase saddle bag lid to full extent allowed by cable. On hardcase bottom element, position Lid Spring Bottom Bracket to align with base of Cable Mounting Plate (arm of bracket facing down) and at a 45° angle from the cable plates right side. Holding bracket firmly, drill through both bracket holes with 1/8" bit. (See Figure 2, Step 1).
  2. Repeat process of alignment, positioning and drilling for Lid Spring Top Bracket (See Figure 2, Step 2). Be sure to verify that Spring & Brackets are positioned as shown before proceeding.
  3. Position a Lid Spring Backing Plate over the holes drilled in the hardcase side panel, place a pop-rievet and rivet through backing plate and Bottom Lid Spring Bracket—Pop-Riveting both holes (See Figure 2, Step 3).
  4. Repeat process of alignment, positioning and pop-riveting for Lid Spring Top Bracket (See Figure 2, Step 4).
- (Note: After mounting the ELS-280 Spring-Operated Lid Propping Device, lid closure can be accomplished with a simple downward touch of your finger. It is recommended that you leave the hardcase cable stop installed.

**NOTE: For maximum security, it is recommended that "Security Bolts" be used in re-attaching saddle bag to cycle.**

### OPERATION OF ELS LOCK

**SEE SEPARATE INSTRUCTIONS ENCLOSED FOR WIRING OF LOCK AND TIMER**

#### Electrical Operation:

With NO weapon in unit, lock will click when switch is activated. With weapon IN unit NO CLICK may be heard when switch is activated. Apply pressure against lock with thumb or hand until click is heard – disengaging lock – remove weapon.

When returning weapon to rack, check to be sure that lock latch is re-engaged and unit is completely locked.

#### Manual Operation:

In the event of any vehicle power failure which prevents electrical operation of unit, FULLY insert your key in the lock head keyhole and turn until latch is released. Remove weapon. Weapon may be manually re-locked by hand-pressuring lock closed, re-inserting and turning key.

Note: Repeated activation of lock solenoid can cause overheating, which requires that unit be allowed to cool for proper function.

**ALL ELS SYSTEM MODELS ARE AVAILABLE WITH PERMANENT LOCK-TIGHT™ FOR THEFT RESISTANT INSTALLATION**